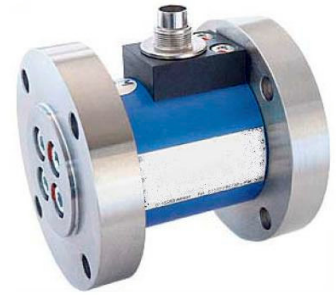
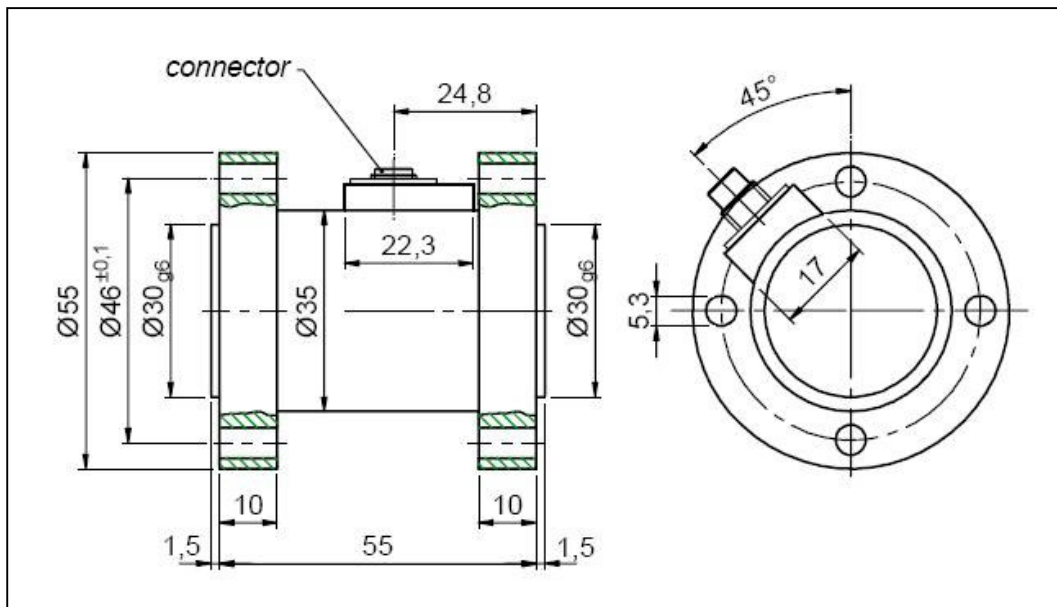


TLSF-C TORQUE REACTION CELLS



The TLSF-C torque transducer provides a cost-effective solution to static or semi-rotary low torque measuring problems. 1, 2 and 5Nm sizes are available. A range of readouts and amplifiers is available for these transducers. Larger capacity units can be found on the TLSF series data sheet.

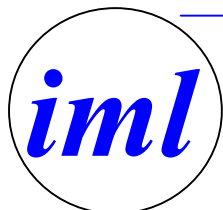
DIMENSIONS



TECHNICAL SPECIFICATION

Nominal Sensitivity	1mV/V	Non-linearity	$\pm 0.2\%$ fs
Overload Capacity	150% fs	Repeatability	$\pm 0.05\%$ fs
Bridge Supply	10V	Operating Temp	-5 to +45°C
Bridge Resistance	350 ohms	Overhung load?	- consult IML

Data sheet TLSFC/0307 . All dimensions are in mm. Details may change without notice, please ask for confirmation if required



Industrial Measurements Ltd

Willow Industrial Park, Willow Road, Trent Lane, Castle Donington,
Derby DE74 2NP Phone: (0)1332 810240 Fax (0)1332 812440

Email: mail@indmeas.co.uk Web: www.indmeas.co.uk